



High performance LED Vaporproof fixture. Ideal for call boxes on campuses, parking areas and walkways. Can be mounted as an uplight. Comes with shot blasted guard with frosted blue globe.

Color: Natural

Weight: 5.0 lbs

Project:	Type:
Prepared By:	Date:

Driver Info		LED Info	
Type:	Constant Current	Watts:	13W
120V:	0.13A	Color Temp:	N/A
208V:	0.08A	Color Accuracy:	N/A
240V:	0.07A	L70 Lifespan:	100000
277V:	0.06A	Lumens:	N/A
Input Watts:	15W	Efficacy:	0 LPW
Efficiency:	86%		

Technical Specifications

Listings

UL Listing:

Suitable for wet locations. Suitable for mounting within 1.2m (4ft) of the ground.

IESNA LM-80 Testing:

RAB LED luminaires have been tested by an independent laboratory in accordance with IESNA LM-80.

LED Characteristics

LED:

Multi-chip, 13W high-output, long-life blue LED.

Lifespan:

100,000-hour LED lifespan based on IES LM-80 results and TM-21 calculations.

Electrical

Driver:

Constant Current, 100V-277V, 50/60 Hz, 100-240VAC = 0.3-0.15 Amp, 277VAC = 15Amps. THD is less than equal to 20%, Power Factor = 97.5%.

Construction

Cold Weather Starting:

Minimum starting temperature is -40°F / -40°C.

Housing:

Precision die-cast aluminum housing, lens frame.

Mounting:

(3) 1/2" NPS conduit entry points.

Gaskets:

High temperature silicone.

Finish:

Natural shot blasted aluminum.

Green Technology:

Mercury and UV free. RoHS compliant components. Polyester powder coat finish formulated without the use of VOC or toxic heavy metals.

Other

Thermal Management (Patent Pending):

Die-cast LED housing designed for maximum heat dissipation.

Guard and globe:

Shot blasted guard with internally frosted blue globe.

Patents:

The design of the LBEACON™ is protected by patents pending in US, Canada, China, Taiwan and Mexico.

Country of Origin:

Designed by RAB in New Jersey and assembled in the USA by RAB's IBEW Local 3 workers.

Buy American Act Compliant:

This product is a COTS item manufactured in the United States, and is compliant with the Buy American Act.

Recovery Act (ARRA) Compliant:

This product complies with the 52.225-21 "Required Use of American Iron, Steel, and Manufactured Goods-- Buy American Act-- Construction Materials (October 2010).

Trade Agreements Act Compliant:

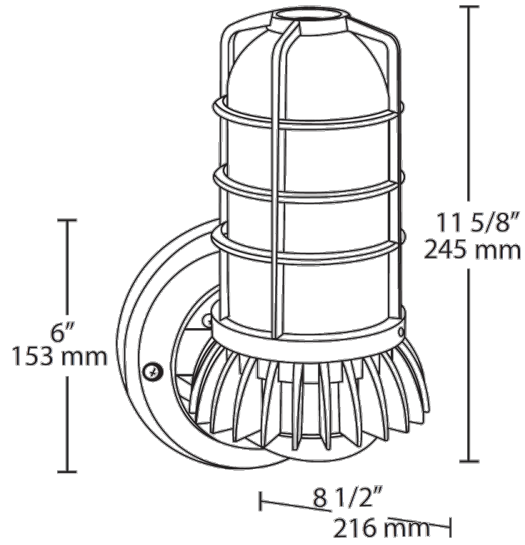
This product is a COTS item manufactured in the United States, and is compliant with the Trade Agreements Act.

GSA Schedule:

Suitable in accordance with FAR Subpart 25.4.

VXBRLED13DG/UP BLU

Dimensions



Features

- Ideal for call boxes on campuses, parking areas and walkways
- Can be mounted as an uplight
- 100,000-hour LED lifespan
- True blue design with blue globe and blue LED
- Mounts to wall or existing pole
- 5-Year LED warranty